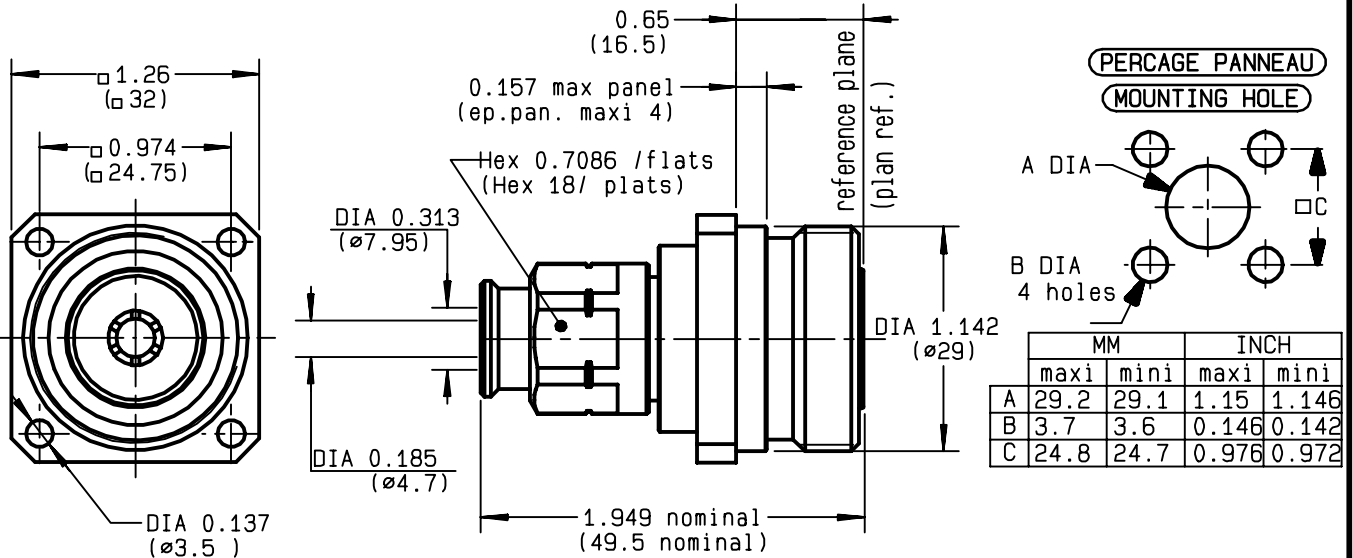


**STRAIGHT SQUARE FLANGE JACK CLAMP TYPE
CABLE 1/4" SUPERFLEXIBLE CORRUGATED**

R185.265.200
SERIES 7-16



NOMINAL IMPEDANCE	50 Ω
FREQUENCY RANGE	0-7.5 GHz
TEMPERATURE RATING	-55/+155 °C
V.S.W.R	1.20 + x F(GHz)Maxi
RF INSERTION LOSS	0.05 √F(GHz) dB Maxi
VOLTAGE RATING	1400 Veff Maxi
DIELECTRIC WITHSTANDING VOLTAGE	2700 Veff Mini
INSULATION RESISTANCE	10000 MΩMini
HERMETIC SEAL	NA Atm.cm ³ /s
LEAKAGE (pressurized only)	IP 67
MECHANICAL DURABILITY	500 Cycles
WEIGHT	125 gr
SPECIFICATION	

CABLES : FSJ1RN-50A - 1/4" HCF 1/4" Cu2Y A1Cu
OTHERS CHARACTERISTICS
ROS : 1.10 a 3 GHz
CABLE RETENTION 200 N Mini
CENTER CONTACT RETENTION
Axial force - mating end 200 N Mini
Axial force - opposite end 100 N Mini
Torque 2 cm.N Mini
RECOMMENDED TORQUES
Mating NA cm.N
Panel nut NA cm.N
Clamp nut 950 cm.N

CONNECTOR PARTS	MATERIALS	FINISH	(all values are given in micrometers)
BODY	BRASS	BBR 0.5 OVER SILVER 3	
OUTER CONTACT	BRASS	SILVER 5 OVER COPPER 0.5	
CENTER CONTACT	BERYLLIUM COPPER	SILVER 5 OVER COPPER 0.5	
INSULATOR	PTFE	-	
GASKET	SILICONE RUBBER	-	
OTHERS PIECES	BRASS	BBR 2	

ISSUE	CREATION DATE	FILE PART-NUMBER
0220B00	26/05/1994	EPC94-10



GAUTIER

The information given here is subject to change without notice. Design changes may be in order to improve the product.

Connect to the future



R185.265.200

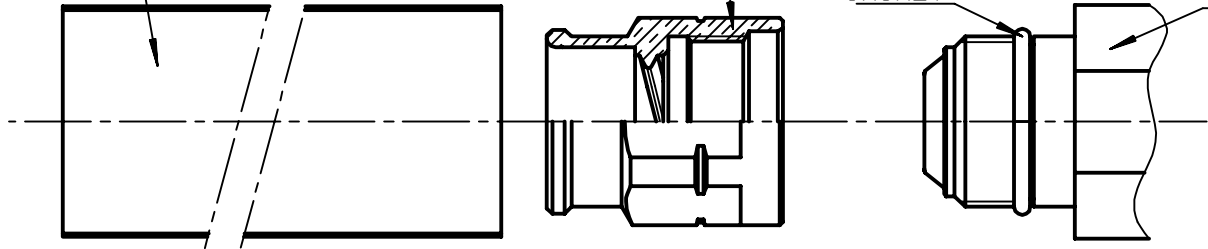
ISSUE **0220B00** SERIES **7-16**

HEATSHRINK SLEEVE

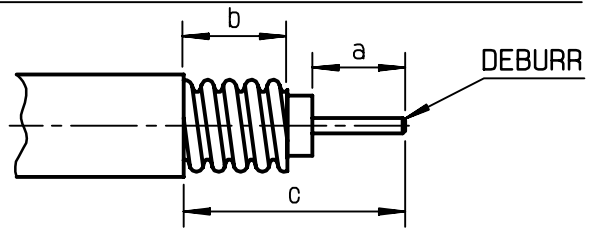
BRAID CLAMP NUT

GASKET

BODY

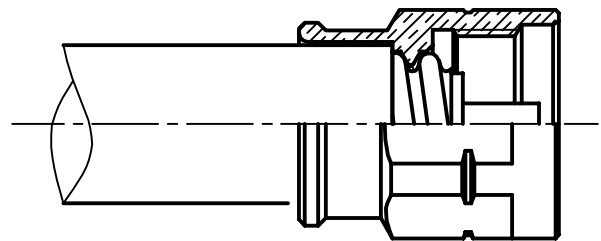


- ①
- Strip the cable.
Stripping tool R282.010.030
 - Do not damage the outer conductor.
 - Deburr cable inner conductor.

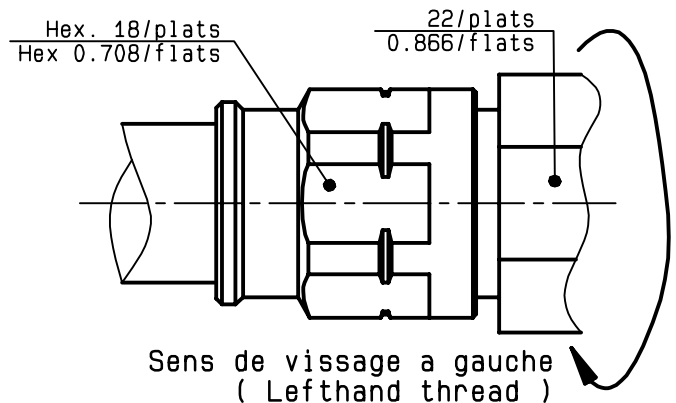


Stripping	a	b	c	d	e
inch	0.217	0.197	0.453	0	0
mm	5.5	5	11.5		

- ②
- Slide the heatshrink sleeve onto the cable.
 - Screw manually the braid clamp nut onto cable outer conductor until stop.



- ③
- Screw the connector onto the assembly.
- WARNING : Screw the connector on the braid clamp nut turning left (lefthand thread) so that the copper outer conductor is being squeezed.
- Torque wrench R282.303.220
Recommended coupling torque: 84.07 in.lb
950 Ncm



- ④
- Shrink the heatshrink sleeve.

Shrink the heatshrink sleeve

